



MEISTER
KLASSE 560

Redlands Ashlyn
Print finishing & packaging equipment
since 1989

18.5"
capacitive
touch screen
display



MADE IN INDIA
MADE IN INDIA
MADE IN INDIA

The REDLANDS ASHLYN group commenced its current business operations in 1989 and is a well known brand globally in

- Print finishing and packaging equipment
- Analytical instruments
- Farm machinery

The business group owes its origins to what was initially a family owned small trading business that started in 1888.

Today the REDLANDS ASHLYN GROUP has over 300,000 + installations spanning a variety of industries from printing to precious metal jewelry to the farm sector. The group has throughout its history been known for its dedication to customer satisfaction, product innovation, affordable pricing, innovative design and with a focus on maintaining the highest quality standards.

In 2006 the REDLANDS ASHLYN group saw an opportunity in the print and packaging industry as available products from many well known names seem to have been stuck in decades old technologies and were facing a steady erosion in quality standards. Legacy equipment manufacturers have always high on raising expectations yet sharply falling short of their claims so we felt it was time for us raise those very standards and give the buyer what they really need.

Innovative design, highest quality standards and competitive pricing have always been the group's cornerstones. Bringing the print finishing technology inline with the latest technological developments have been our primary focus.

Our production facilities span 120,000 sqft and state of art production equipment. The group commits 26% of its resources towards R&D, owns several global patents and has 11% of its staff in QC. We are well placed to make good our promise to all, which is to offer products with latest innovations, encompassing the highest quality possible and reducing ownership costs.


As a mark of our unwavering commitment to the environment, the factory has installed a 400 kW solar panel off grid power facility that draws less than 20% from the thermal energy powered public grids. We hope to be completely independent of utility power by end 2025.

Our latest range of paper guillotines directed at the digital print market offer durability, minimal service and online services as their prime advantages. Expert technicians, a well stocked spares centre and a wide network of dealers who will also offer their in-house factory trained service personnel and a ready stock of spares will further back up our commitment of maximum uninterrupted operations. We are always evolving, absorbing every suggestion from our users and dealers to constantly improve our products to match their expectations.


CONTACT US

E-mail : cosales@redlandsmpl.com
Ph : +91 77366 7275 | +91 90204 54749

Office

 Redlands House, Karikkath Lane,
M G Road, Thrissur, Kerala, India - 680 001

Factory

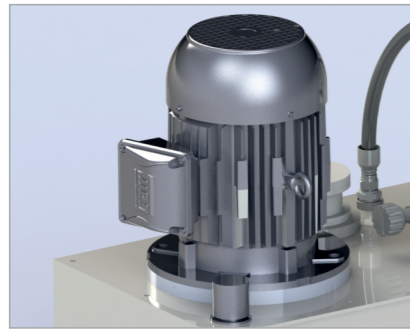
 Madukkarai Road, Malumichampatti,
Coimbatore, Tamilnadu, India - 641050

DIGITAL
PAPER GUILLOTINE
DESIGNED IN ITALY

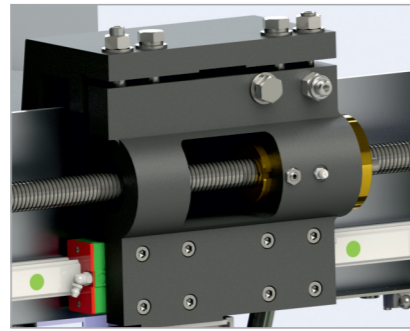


www.redlandsmpl.com

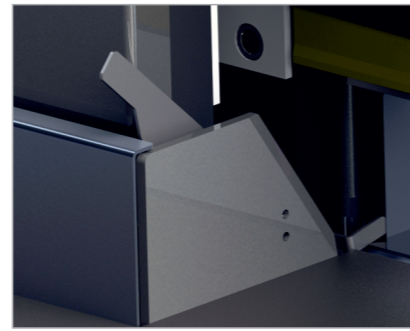
Major Technical Features



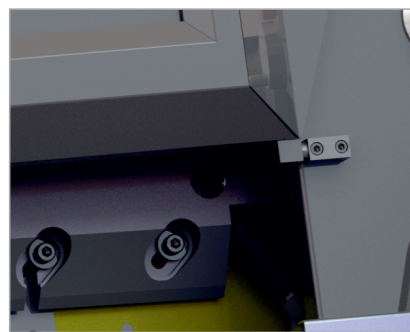
Powerful hydraulic power pack ensures durable and long lasting clamping and cutting applications



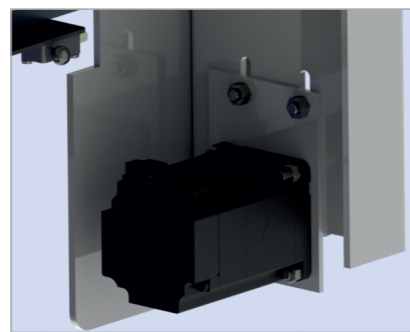
Self adjusted linear trapezoidal threaded screw ensures maintenance free and extremely precise cutting



Cutting stick ejector mechanism ensures smooth removal for stick



Knife depth adjustment can be done easily from the front



Servo driven backgauge ensures extremely precise cutting dimensions



Backgauge with plastic gliders protects table surfaces from damage

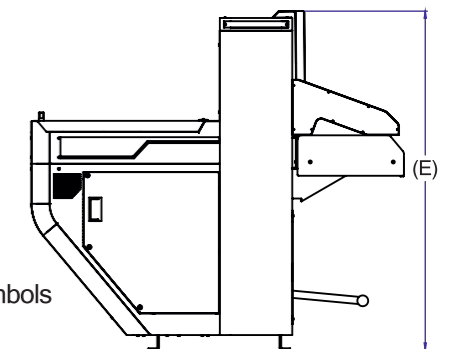
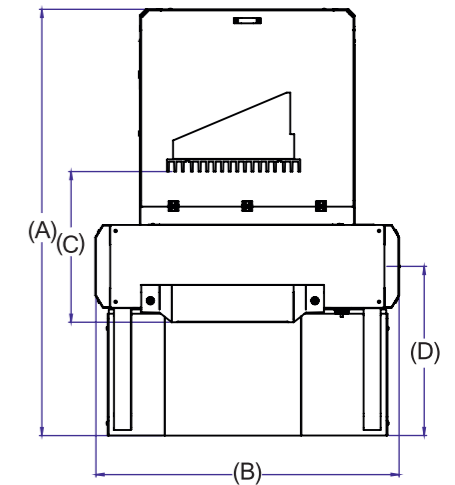


Technical Specifications

MK 560

Cutting width	560 mm
Feed depth	560 mm
Feeding height, max. (without false clamp plate)	80 mm
Length of front table (D)	670 mm
Table height	905 mm
Clamping pressure (minimum)	180 daN
Clamping pressure (maximum)	800 daN
Back gauge speed, return stroke	100 mm/sec
Knife speed	20 Cycles/min
Thickness of knife	9.70 mm
Grinding reserve (HSS18 knife) maximum	22 mm
Smallest cut, automatic, without false clamp plate	15 mm
Smallest cut, automatic, with false clamp plate	50 mm
Width (B)	1,245 mm
Depth (A)	1,750 mm
Frame height (E)	1,600 mm
Weight	690 kg
Apparent power	2.8 kVA

* Specifications are subject to change without any notice



Functions

- 1. Easy operation :** 18.5" capacitive touch screen with easy-to-understand symbols
- 2. Efficient knife change :** Change knives easily with menu - driven interface
- 3. Real-time programming :** Program during cutting for maximum flexibility
- 4. Streamlined programming :** Block programming available for simplified use
- 5. Ample memory :** Store up to 2000 programs with memory locations
- 6. Clear program information :** View program details in plain text
- 7. Clamping control :**
 - Set clamping time before cutting
 - Option to clamp without cutting
- 8. Automated ejection :** Programmable ejector for hands-free operation
- 9. Program protection :** Safeguard programs with protect feature
- 10. Maintenance reminder :** Receive lubrication interval signals
- 11. Program duplication :** Easily copy programs with one click



**IDEAL FOR
DIGITAL /
OFFSET
PRINTERS**



2000+ programs
with 100 steps each



“ Meister Klasse **MK 560** paper guillotine from Redlands has adopted class leading technology for the fast, precise and consistent cutting of all types of paper. It offers automated cutting edge technology with unique features such as 18.5" extra-large full color capacitive touch display for your high visibility and the outstanding user friendly operation. ”

Available accessories:

- » Cutting sticks (Set of 5 items)
- » HSS-knives
- » Knocking block